

# LCD Video Processor with Built-in Decoder, TTL/LVDS Inputs, MCU, OSD and TTL/LVDS Panel Interface

## TW8836

The TW8836 is a highly integrated LCD video processor that incorporates many of the features required to create a multipurpose LCD display system into a single package. This includes a high quality 2D comb NTSC/PAL/SECAM video decoder, triple high speed RGB ADCs, an LVDS and TTL digital input interface, high quality scaler and deinterlacer, as well as a versatile OSD, high performance MCU and LVDS or TTL output panel interface. The TW8836 can support input resolutions up to 1080p and can drive LCD panels at resolutions up to 1366x768. The TW8836's video processing capability includes arbitrary H/V scaling, panoramic scaling, image mirroring, image adjustment and enhancement, black and white stretch, etc. The feature set and versatility of this device makes it an ideal solution for in-car LCD display applications, as well as portable display applications such as pico projectors.

## Applications

- In-car display
- Pico projector and portable media player
- Portable DVD and DVR players

## Features

### Analog Video Decoder

- NTSC (M, 4.43) and PAL (B, D, G, H, I, M, N, N combination), PAL (60), SECAM with automatic format detection
- Three 10-bit ADCs and analog clamping circuit
- Fully programmable static gain or automatic gain control for the CVBS channel
- Programmable white peak control for the Y or CVBS channel
- Software selectable analog inputs allows composite, S-video, analog YPbPr or RGB
- High quality adaptive 2D comb filter for NTSC/PAL inputs
- PAL delay line for color phase error correction
- Image enhancement with 2D dynamic peaking/CTI
- Digital subcarrier PLL for accurate color decoding
- Programmable hue, brightness, saturation, contrast, sharpness
- Selectable differential or single-ended CVBS input
- Digital horizontal PLL and advanced synchronization processing for VCR playback and weak signal performance
- High quality horizontal and vertical filtered down scaling with arbitrary scale down ratio
- Up to 2CH differential or 4CH single ended CVBS input
- Supports detection of Macrovision copy protection

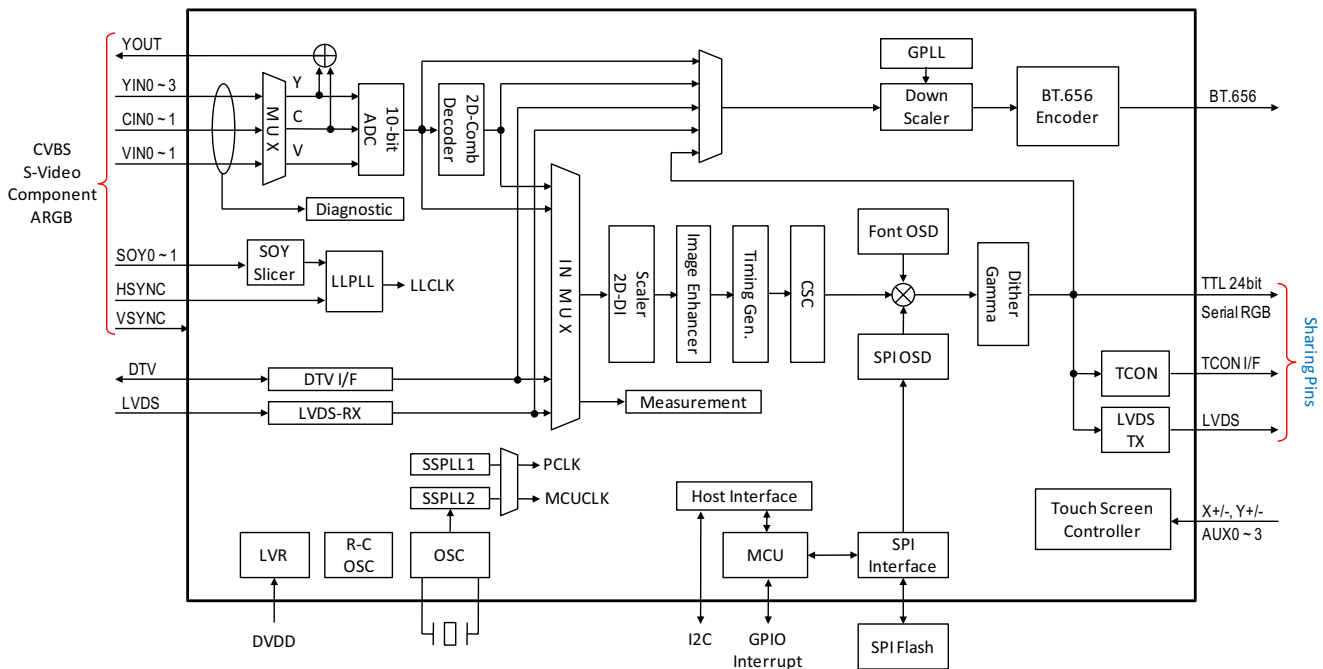


FIGURE 1. FUNCTIONAL BLOCK DIAGRAM

## Features (Continued)

### Analog RGB Inputs

- Triple high speed 10-bit ADCs with clamping and programmable gain amplifier
- SOG and H/VSYNC support for YPbPr or RGB input
- Built-in line locked PLL with sync separator
- Supports input resolution up to 1080p

### Digital Inputs Support

- Supports both BT.656 and 601 video formats
- Supports YCbCr/RGB 24-bit input (bidirectional) up to 1080p resolution
- Single channel LVDS input up to 720p resolution
- Supports RGB 565 + BT.656 at the same time

### TFT Panel Support

- Built-in programmable timing controller
- Supports 3, 4, 6 or 8 bits per pixel up to 16.8 million colors with built-in dithering engine
- Supports digital panels (TTL) or single channel LVDS panels up to WXGA (1366x768) resolution, 85MHz
- Supports serial (8-bit) RGB panel

### Font Based On-Screen Display

- Eight window font OSD with bordering/shadow
- 10kB programmable font RAM and 512 display RAM
- 1/2/3/4 bits/pixels
- Supports variable width (12/16), height (2~32)

### SPI Flash Based On-Screen Display

- 9 bitmap based OSD windows in 2 layers through SPI with alpha blending between layers
- Supports 4/6/8 bits/pixels
- Supports RLE decompression for two windows

### Image Processing

- High quality scaler with both up/down and panorama/water-glass scaling support
- Built-in 2D deinterlacing function
- Programmable brightness, contrast, saturation, hue and sharpness
- Programmable color transient improvement control
- Supports programmable cropping of input video and graphics
- Independent RGB gain and offset controls
- DTV hue adjustment
- Programmable 8-bit gamma correction for each color
- Black/white stretch

### Clock Generation

- Spread spectrum profile based on triangular modulation with center spread
- Programmable modulation frequency and spread width

### Timing Controller (TCON)

- Supports programmable interface signals for control
- Column (source) driver/row (gate) driver

### MCU

- Industry standard 8052 based
- Code fetch from external SPI flash memory
- 256B code cache
- 2k XDATA memory
- Supports power save mode with 32k internal clock
- ISP (In System Programming) through I<sup>2</sup>C
- Supports 24-bit addressing

### BT.656 Output

- Independent ITU-R 656 compatible YCbCr (4:2:2) output format
- Supports progressive ITU-R 656 output format for both interlaced and progressive inputs
- ITU-R 656 output generated from decoder, ARGB, DRGB and post scaling path

### Touch Screen Controller

- Built-in 4-wire resistive touch screen
- 12-bit ADC
- 4 channel auxiliary input

### Miscellaneous

- Supports Fast mode I<sup>2</sup>C interface up to 400kHz
- Short diagnostics
  - Short-to-battery
  - Short-to-ground
- Up to 4 PWMs
- GPIOs
- 1.8V/3.3V internal operation
- 1.8V I/O support
- Power-down mode
- Single 27MHz crystal
- 128 Ld LQFP with exposed thermal pad and 172 ball TFBGA package
- TW8836AT-LB2-GE is AEC-Q100 qualified

For additional products, see [www.intersil.com/en/products.html](http://www.intersil.com/en/products.html)

Intersil products are manufactured, assembled and tested utilizing ISO9001 or TS16949 quality systems as applicable noted in the quality certifications found at [www.intersil.com/en/support/qualandreliability.html](http://www.intersil.com/en/support/qualandreliability.html)

*Intersil products are sold by description only. Intersil Corporation reserves the right to make changes in circuit design, software and/or specifications at any time without notice. Accordingly, the reader is cautioned to verify that data sheets are current before placing orders. Information furnished by Intersil is believed to be accurate and reliable. However, no responsibility is assumed by Intersil or its subsidiaries for its use; nor for any infringements of patents or other rights of third parties which may result from its use. No license is granted by implication or otherwise under any patent or patent rights of Intersil or its subsidiaries.*

For information regarding Intersil Corporation and its products, see [www.intersil.com](http://www.intersil.com)